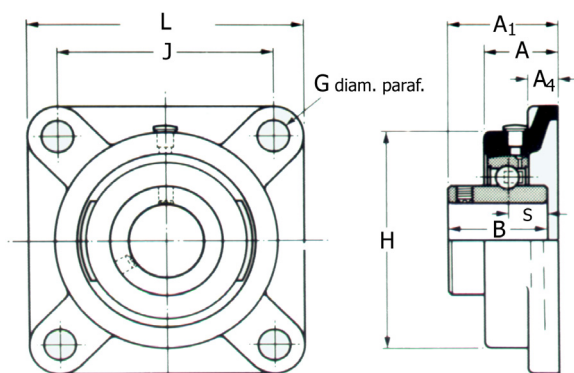


Unidades de Rolamento Tipo Pedestal MSF



Diâmetro do eixo mm poleg	Conjunto	Dimensões em mm/polegada										Mancal	Rolam. base	Peso kg
		L	J	H	A ₁	A	A ₄	B	S	G				
25 1	MSF-25	108	82,50	82,50	42,22	32,80	15,70	38,10	15,88	10	F-4	206	1.30	
	MSF-1	4.252	3.248	3.248	1.622	1.291	0.618	1.500	0.625	3/8				
30 1.3/16 1.1/4	MSF-30	117,50 4.626	92	95	45,40	33	14,20	42,88	17,48	12	F-5	207	1.70	
	MSF-1.3/16		3.622	3.740	1.787	1.299	0.559	1.688	0.688	1/2				
	MSF-1.1/4													
35 1.3/8 1.7/16	MSF-35	130 5.118	101,50	108	53,18	37,40	15,20	49,23	19,05	12	F-6	208	2.20	
	MSF-1.3/8		3.996	4.252	2.093	1.472	0.598	1.938	0.750	1/2				
	MSF-1.7/16													
40 1.1/2	MSF-40	136,50 5.374	105	111	53,18	36,80	15,80	49,23	19,05	16	F-7	209	2.60	
	MSF-1.1/2		4.134	4.370	2.093	1.448	0.622	1.938	0.750	5/8				
45 1.3/4 1.11/16	MSF-45	143 5.630	111	116	58,54	43,70	18,30	51,58	19,05	16	F-8	210	2.80	
	MSF-1.3/4		4.370	4.567	2.304	1.720	0.720	2.031	0.750	5/8				
	MSF-1.11/16													
50 1.7/8 1.15/16 2	MSF-50	162 6.378	130	133	62,33	47,70	21,50	55,55	22,22	16	F-9	211	4.00	
	MSF-1.7/8		5.118	5.237	2.453	1.877	0.845	2.187	0.875	5/8				
	MSF-1.15/16													
	MSF-2													
55 2.3/16 2.1/4	MSF-55	174,50 6.870	143	138	68,17	48	18	65,07	25,40	16	F-10	212	4.70	
	MSF-2.3/16		5.630	5.433	2.684	1.890	0.709	2.562	1.000	5/8				
	MSF-2.1/4													
60 2.7/16 2.1/2	MSF-60	187 7.363	149,22	155	77,87	48,10	18,50	74,63	30,23	16	F-11	214	6.80	
	MSF-2.7/16		5.875	6.102	3.066	1.894	0.729	2.938	1.190	5/8				
	MSF-2.1/2													
65 70 2.11/16 2.3/4	MSF-65	197 7.756	152,40	165	81,07	51,80	23,50	77,77	33,35	20	F-12	215	8.60	
	MSF-70		6.000	6.496	3.192	2.040	0.925	3.062	1.313	3/4				
	MSF-2.11/16													
	MSF-2.3/4													
75 2.15/16 3	MSF-75	197 7.756	152,40	171	89,02	55,50	23,50	82,55	33,35	20	F-13	216	9.30	
	MSF-2.15/16		6.000	6.733	3.505	2.185	0.925	3.250	1.313	3/4				
	MSF-3													
80 3.3/16 3.1/4	MSF-80	214 8.425	171,45	184	89,78	54,80	26,50	85,72	34,19	20	F-14	217	11.10	
	MSF-3.3/16		6.750	7.244	3.535	2.158	1.044	3.375	1.346	3/4				
	MSF-3.1/4													
85 90 3.7/16 3.1/2	MSF-85	214 8.425	171,45	197	100,91	62,20	26,50	96,04	39,73	20	F-15	218	13.20	
	MSF-90		6.750	7.756	3.973	2.449	1.044	3.781	1.564	3/4				
	MSF-3.7/16													
	MSF-3.1/2													
95 100 3.15/16 4	MSF-95	268 10.551	211,12	235	127,10	84	32,50	117,48	49,25	24	F-16	3095	24,70	
	MSF-100		8.312	9.252	5.004	3.307	1.280	4.625	1.939	1				
	MSF-3.15/16													
	MSF-4													

Obs. É possível formar conjuntos com diversos diâmetros de furo constantes nas páginas correspondentes aos rolamentos base.